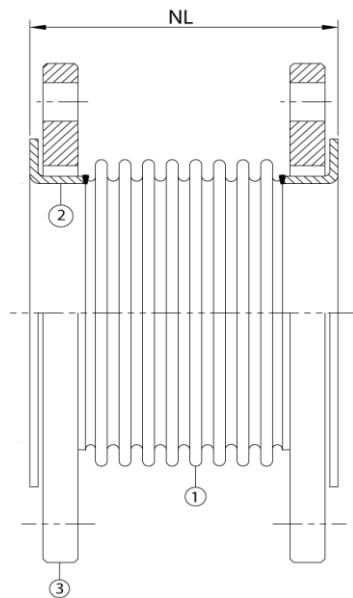


Stainless steel expansion joint with swivel flanges, type ANL

Applications

An expansion joint with stainless steel collars and steel swivel flanges according to PN10/16 (see table). For applications in heating systems, where a thermal expansion of the piping has to be absorbed. This type of expansion joint is basically meant for axial movements. And where a short overall length is required.



Technical description

Bellow (1) : AISI 316Ti
 Collars (2) : AISI 321
 Flanges (3) : Carbon Steel

Connections

Swivel flanges, PN16 (DN200 PN10), carbon steel,

Diameter DN	Type	NL neutral length	Axial compression	Axial extension	Max. pressure	Max. pressure
mm (in)		mm	mm	mm	@20°C/bar	@100°C/bar
40(1½")	ANL 401638	130	-19	+19	16	10
50(2")	ANL 501634	130	-17	+17	16	10
65(2½")	ANL 651630	130	-15	+15	16	10
80(3")	ANL 801636	130	-18	+18	16	10
100(4")	ANL 1001636	130	-18	+18	16	10
125(5")	ANL 1251636	130	-18	+18	16	10
150(6")	ANL 1501636	130	-18	+18	16	10
200(8")	ANL 2001630	130	-15	+15	10	10

For combined movements, consult Amniflex BV.

All information in this document is without any obligation, specifications subject to change without any notice.

Amniflex B.V.

Abraham van Stolkweg 118
 3041 JA, Rotterdam
 T: +31(0)10 2982121
 E: amniflex@plastiflex.com
 www.amniflex.com

BTW nr. NL862140729B01
 Bank: KBC Bank NV
 KREDNL2XXXX
 IBAN NL23 KRED0633024376

K.v.K. Rotterdam nr. 81568053

Al onze aanbiedingen en leveranties geschieden volgens onze algemene leveringsvoorwaarden.

